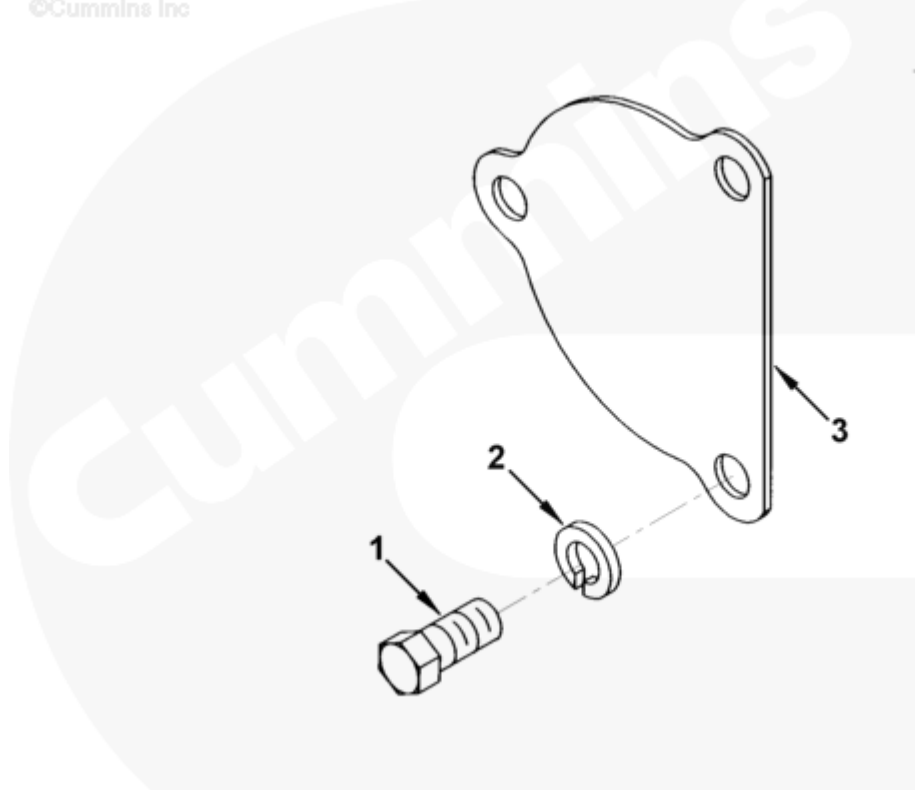




Parts Catalog - Option Detail

Electronic Parts Catalog - Option Detail				
Option	Group	Graphic	Film Card	Date
ST6701	13.05.1	st401gb	K38	06-NOV-95
Engines	GTA38, K38, KTA38GC CM558, QSK38 CM2150 K106, QSK38 CM2150 MCRS, QSK38 CM850 MCRS			

©Cummins Inc



st401gb

[SMALL](#) | [MEDIUM](#) | [LARGE](#)

Cart	Ref No	Part Number	Part Description	Required	Remarks
View My Cart					
		ST6701	Starter Mounting		Starter hole covers for use...(More)
					with dry flywheel housing and
					with air starter; or for use
					with dry flywheel housing, no
					starter, and dual barring
					mechanisms.
<input type="checkbox"/>	1	S 181	Hexagon Head Cap Screw	6	5/8 - 11 X 1 1/4 in.

<input type="checkbox"/>	2	S 603	Lock Washer	6	5/8 in.
<input type="checkbox"/>	3	3628411	Starter Flange Cover	2	

© 2019 Cummins Inc., Box 3005, Columbus, IN 47202-3005 U.S.A.
Terms of Use and Disclaimers | Recommended System Requirements
Need Assistance? Please click on the Contact Us button in the top right corner of any page.